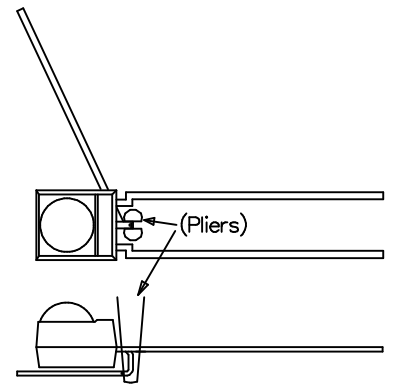
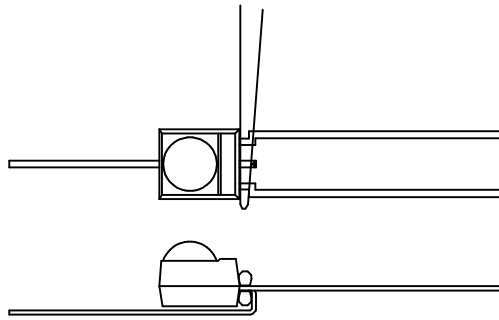


Tweezers or fine  
needle-nose pliers



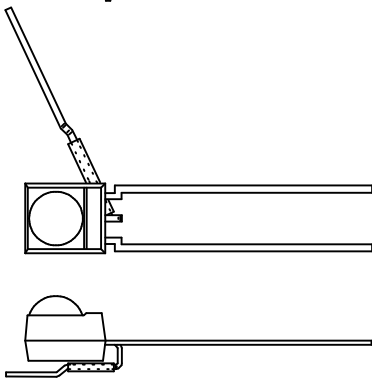
(Pliers)

1) Support leads entering module with tweezers/needle-nose pliers and bend center Ground leg straight down.

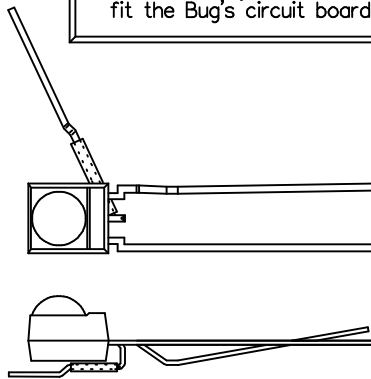
2) Now bend center leg straight back, leaving a little space between the lead and the body.

3) Hold the center lead at the bend section and bend it off to the side.

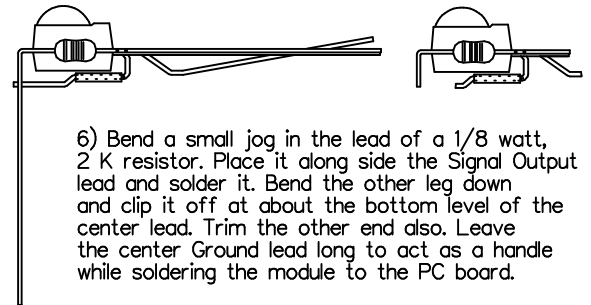
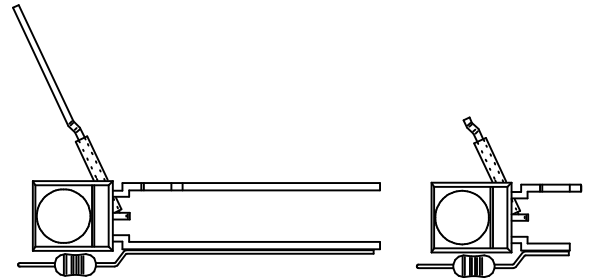
NOTE: Test fit and adjust the bends as they are made to fit the Bug's circuit board.



4) Slip a short section of insulation onto the lead, then bend a small downward jog.



5) Bend a downward jog in the outer Vsupply lead, and another one upwards a little farther out.



6) Bend a small jog in the lead of a 1/8 watt, 2 K resistor. Place it along side the Signal Output lead and solder it. Bend the other leg down and clip it off at about the bottom level of the center lead. Trim the other end also. Leave the center Ground lead long to act as a handle while soldering the module to the PC board.

Lead bending sequence to fit TSOP34838 IR receiver module to Hexbug circuit board.

(c)2009 Applied Inspirations, LLC